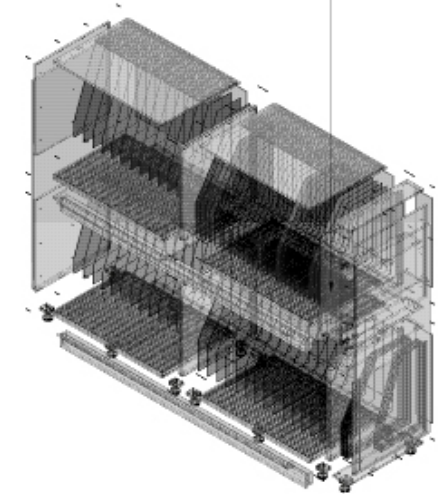


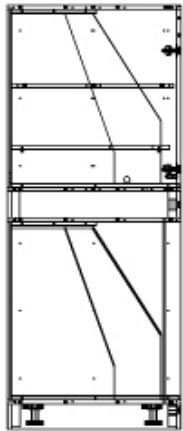
1137



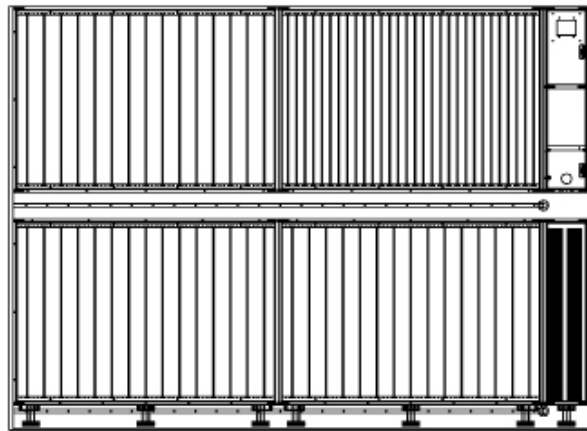
View from top



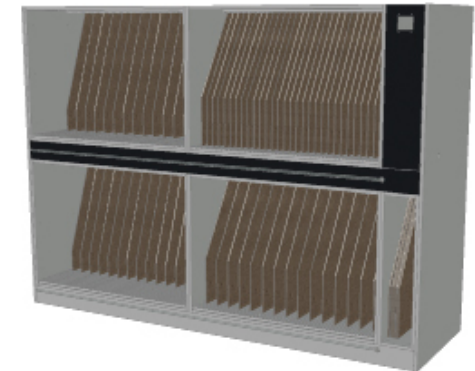
Exploded view



View from left



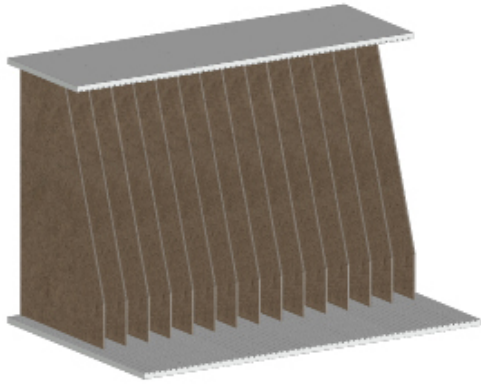
FrontRealistic view



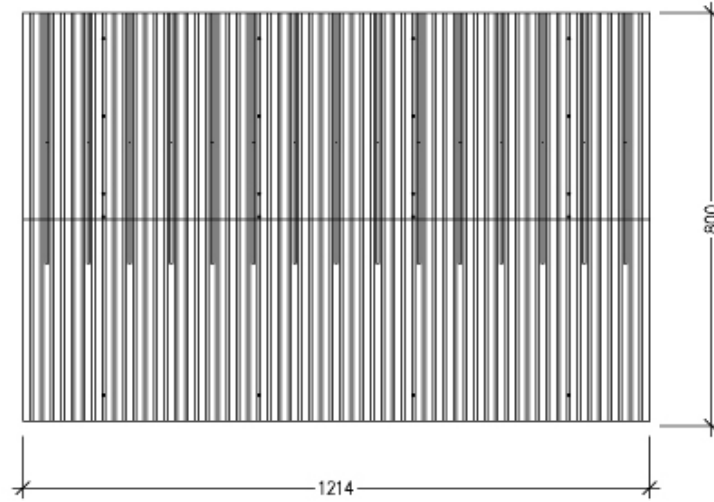
Realistic view

1.0 Overview drawing edgeband rack

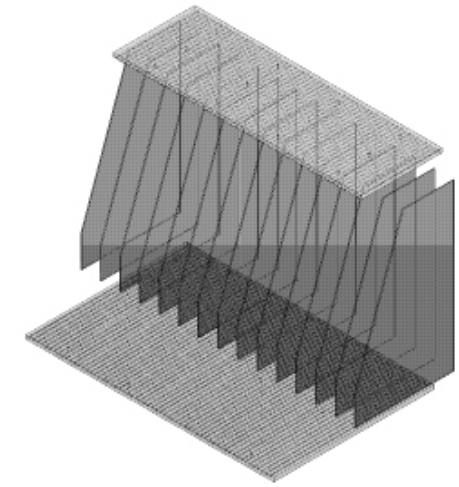
Artikelno. Artikelno. 1 <b>Homag Digital Factory</b> Artikelno. 2 <b>Edge Tape Coil Storage</b> Artikelno. 3 <b>Smart LED</b> Artikelno. 4 <b>Controller Unit</b> Artikelno. 5	Artikelno. 6 Artikelno. 7 Artikelno. 8 Artikelno. 9 Artikelno. 10	Artikel 1 weight <b>2000</b> Artikel Width <b>2760</b> Artikel Depth <b>820</b> Artikel Weight <b>548,166</b> Hierarchy Number <b>001</b>	Ordercolor 1 Ordercolor 2 Ordercolor 3 Ordercolor 4 Ordercolor 5	Address 1 Address 2 Address 3 zip street	<table border="1"> <tr> <th>Case</th> <th>ArticleName</th> </tr> <tr> <td>Current: 3/20/2020</td> <td>MaterialAssistEdge</td> </tr> <tr> <td>Modified: 3/19/2020</td> <td>ArticleDescription</td> </tr> <tr> <td>Created: 2/3/2020</td> <td>JoinersEdgeTapeStorage</td> </tr> <tr> <td>Category</td> <td>Construction</td> </tr> <tr> <td>Delivery</td> <td>STANDARD</td> </tr> </table>	Case	ArticleName	Current: 3/20/2020	MaterialAssistEdge	Modified: 3/19/2020	ArticleDescription	Created: 2/3/2020	JoinersEdgeTapeStorage	Category	Construction	Delivery	STANDARD	Page <b>1</b> Name <b>Homag CSW</b> Scale <b>1:25</b> © AS
Case	ArticleName																	
Current: 3/20/2020	MaterialAssistEdge																	
Modified: 3/19/2020	ArticleDescription																	
Created: 2/3/2020	JoinersEdgeTapeStorage																	
Category	Construction																	
Delivery	STANDARD																	
					MaterialAssistEdge19_2020													



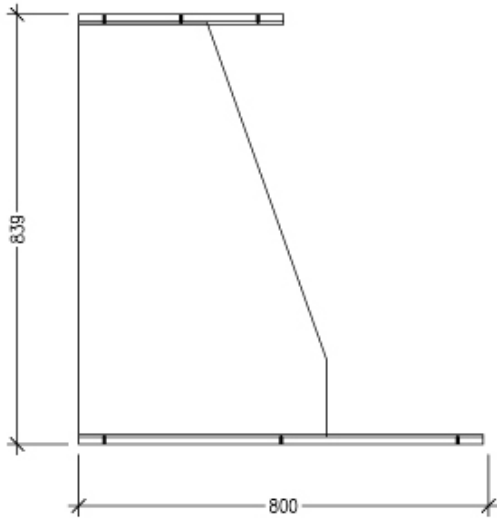
Realistic view



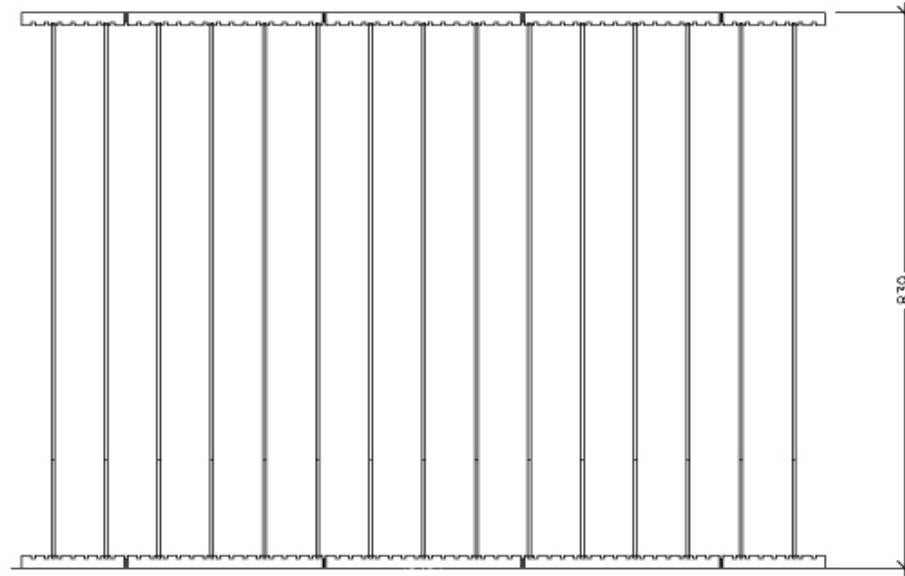
View from top



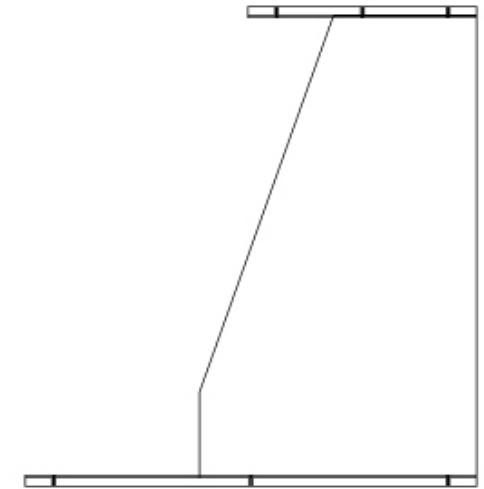
Exploded view



View from left



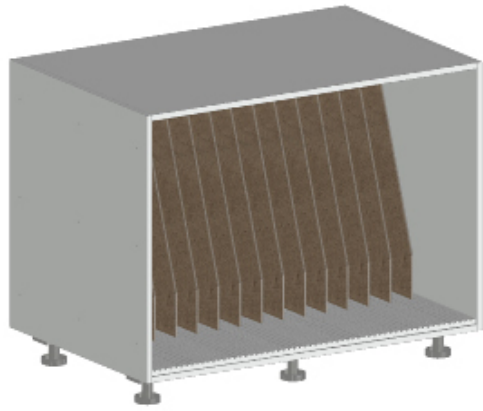
Front view



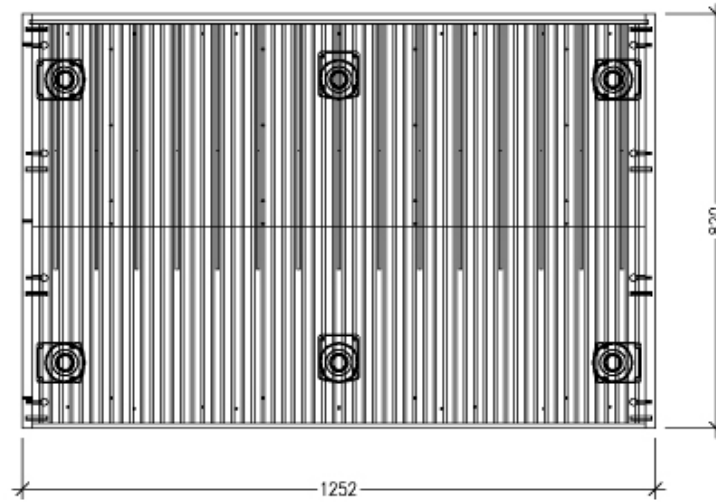
View from right

1.1 Carcase bottom left details

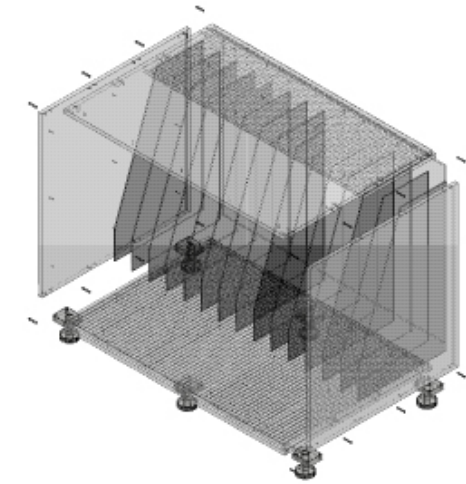
<h3>Lower Left Module</h3>	Ordercolor 1	Address 1	Case	Articulation	1
	Ordercolor 2	Address 2	Current	MaterialAssistEdge	Name
	Ordercolor 3	Address 3	Modified	Articulation	Homag CSW
	Ordercolor 4	Articulation	Created	Construction	Scale
	Ordercolor 5	Articulation	Delivery	STANDARD	1:16,2
					Page
			MaterialAssistEdge19_2020		1



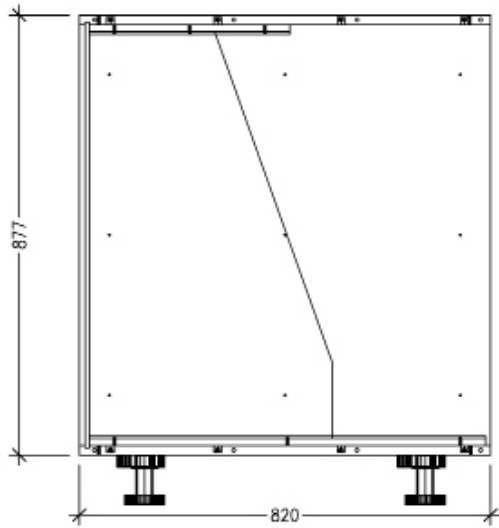
Realistic view



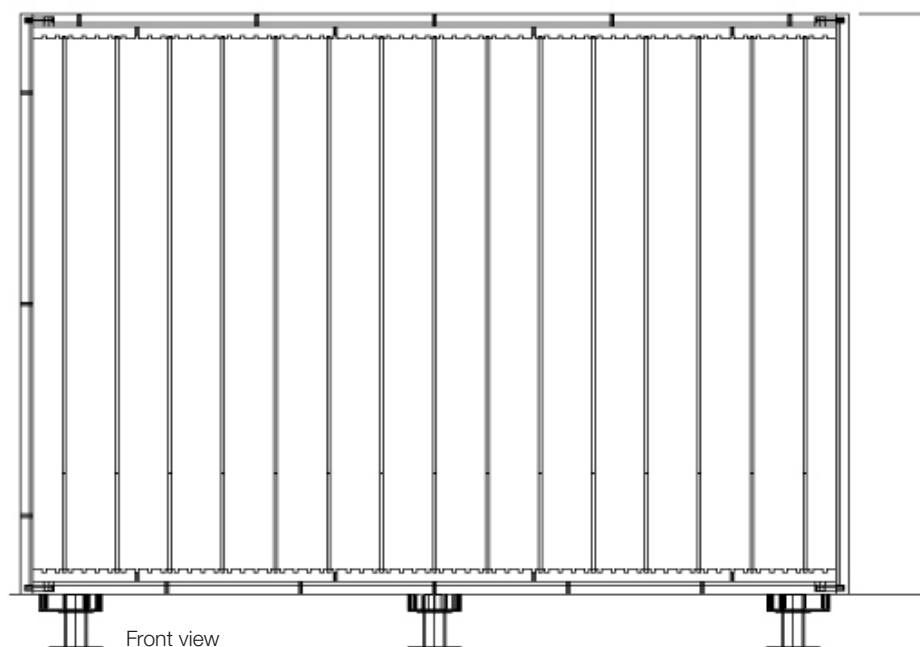
View from top



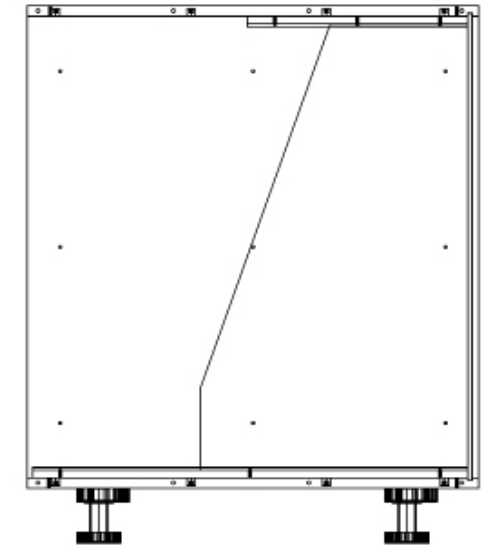
Exploded view



View from left



Front view



View from right

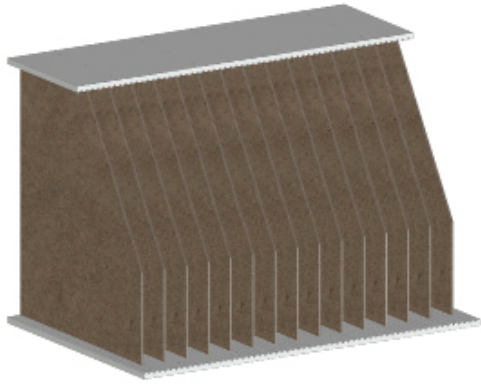
1.1 Carcase bottom left

Lower Left Module

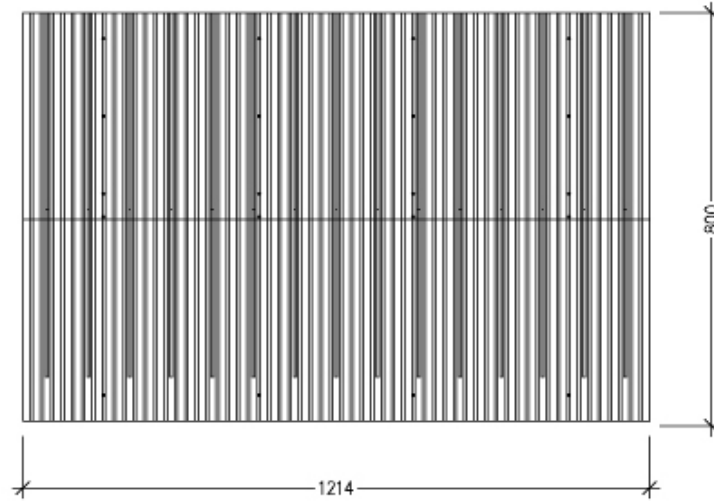
Ordercolor 1	Address 1
Ordercolor 2	Address 2
Ordercolor 3	Address 3
Ordercolor 4	dj
Ordercolor 5	note

Case	Articulation
Current	MaterialAssistEdge
Modified	Articulation
Created	Construction
Labeling	STANDARD
Delivery	

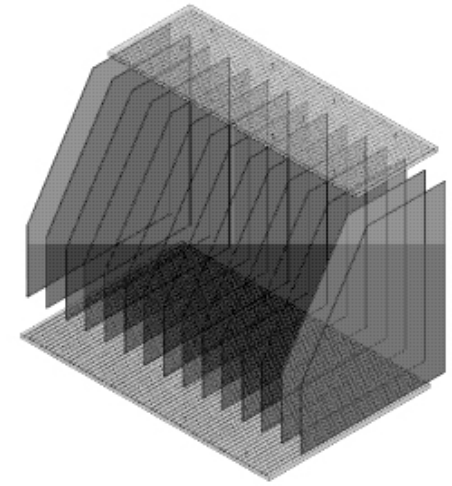
		MaterialAssistEdge19_2020
Page	1	
Name	Homag	CSW
Scale	1:16,7	



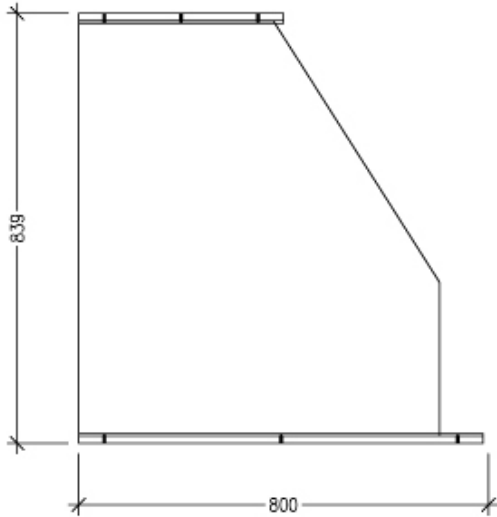
Realistic view



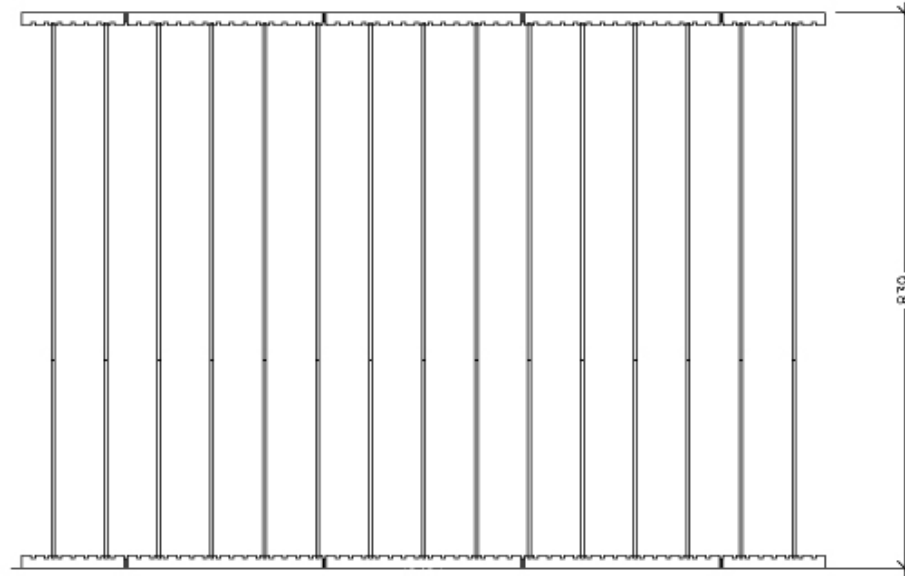
View from top



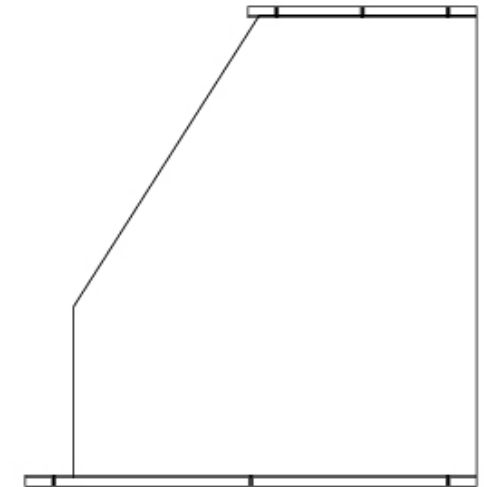
Exploded view



View from left



Front view



View from right

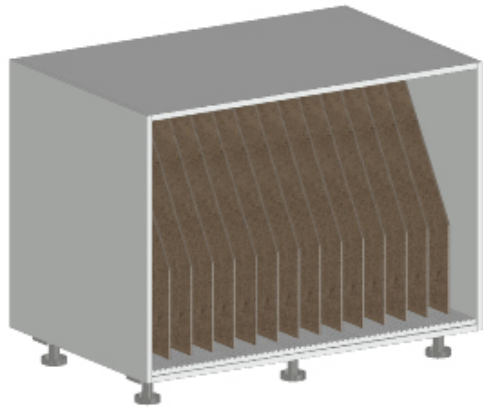
1.2 Carcase bottom right details

Lower Right Module

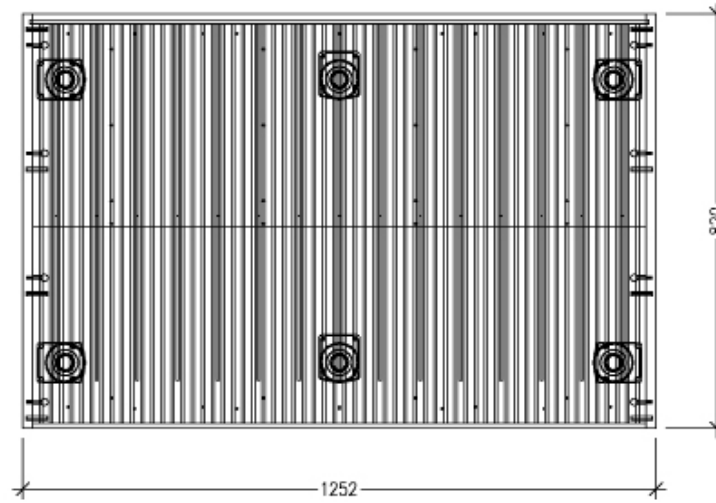
Ordercolor 1	Address 1
Ordercolor 2	Address 2
Ordercolor 3	Address 3
Ordercolor 4	dj
Ordercolor 5	Welle

Case	Articulation
Current	MaterialAssistEdge
Modified	Articulation
Created	Construction
Labeling	STANDARD
Delivery	

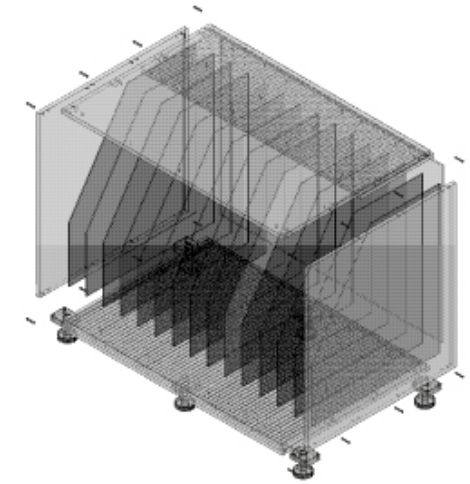
Case	Articulation	1
Current	MaterialAssistEdge	Name
Modified	Articulation	Homag CSW
Created	Construction	Scale
Labeling	STANDARD	1:16,2
Delivery		1/1



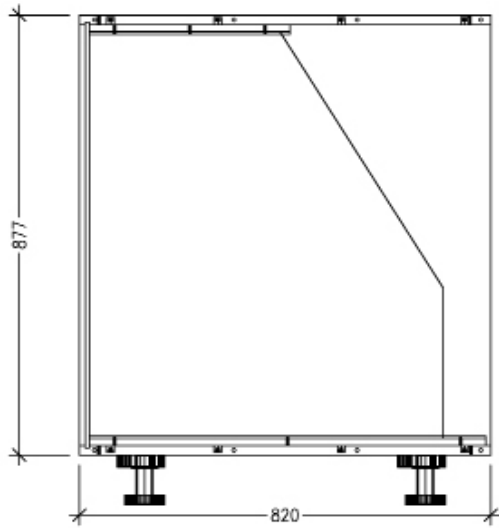
Realistic view



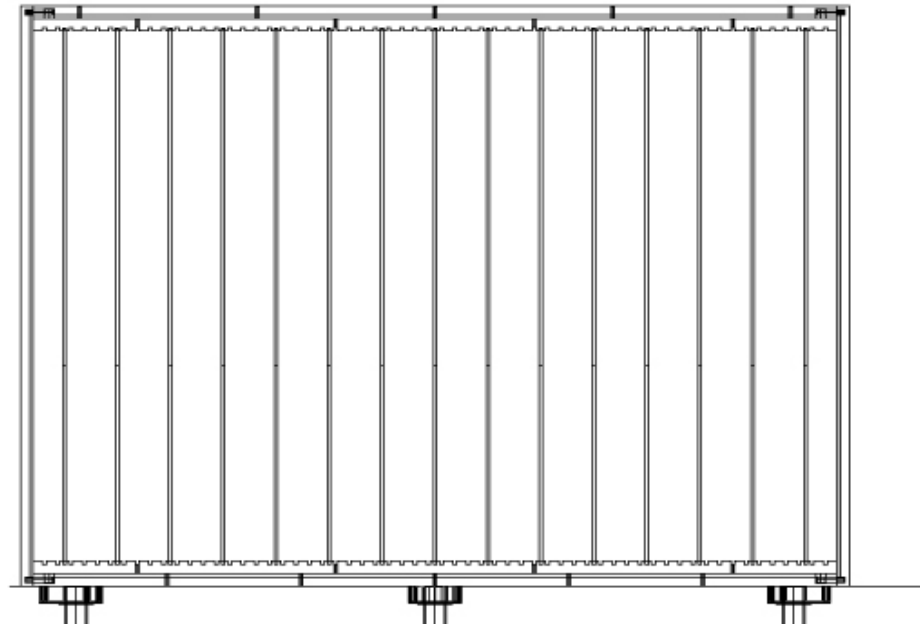
View from top



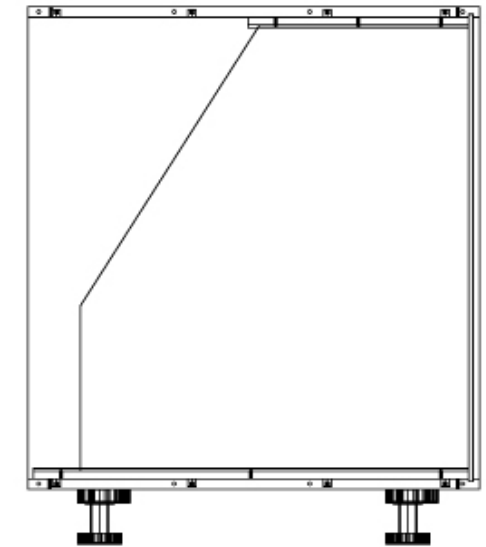
Exploded view



View from left



Front view



View from right

1.2 Carcase bottom right

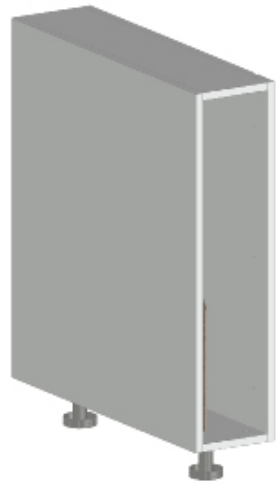
Lower Right Module

Ordercolor 1  
Ordercolor 2  
Ordercolor 3  
Ordercolor 4  
Ordercolor 5

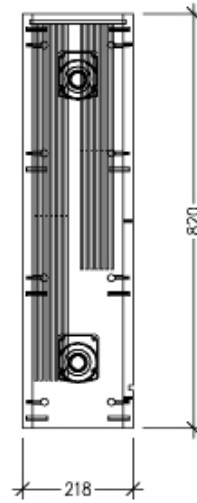
Address 1  
Address 2  
Address 3  
City  
Postal

Date	3/20/2020
Current	3/19/2020
Modified	2/3/2020
Created	
Issued	
Delivery	

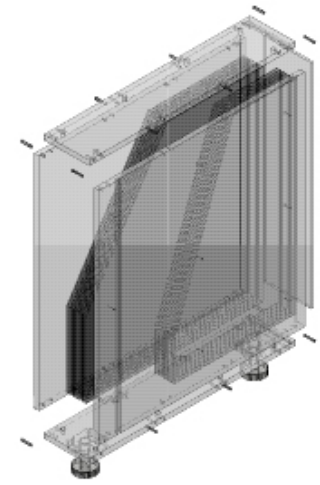
Articlename: MaterialAssistEdge  
Articledescription: MaterialAssistEdge  
Construction: STANDARD



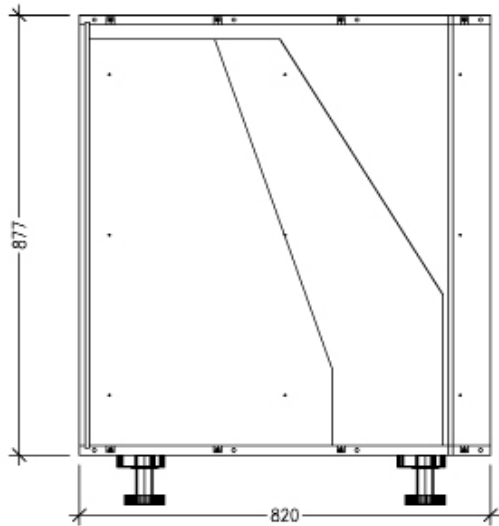
Realistic view



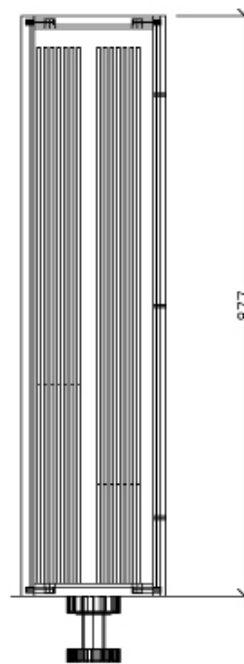
View from top



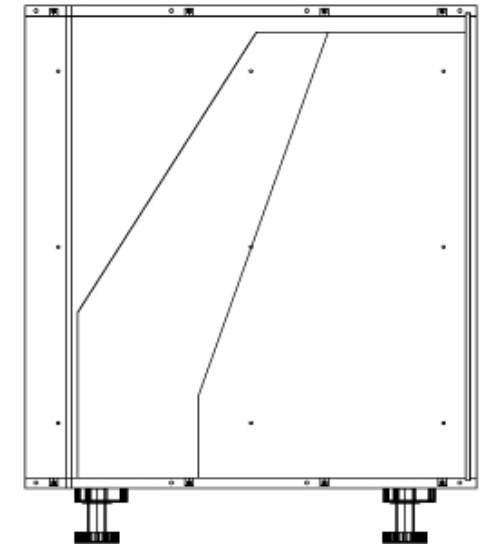
Exploded view



View from left



Front view

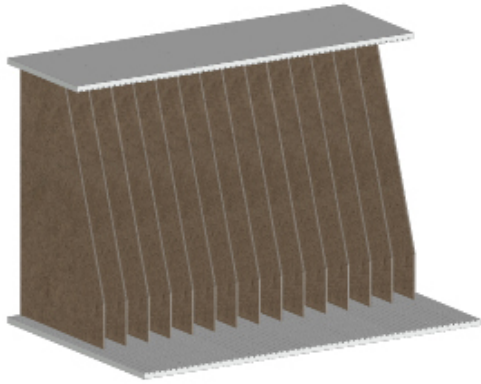


View from right

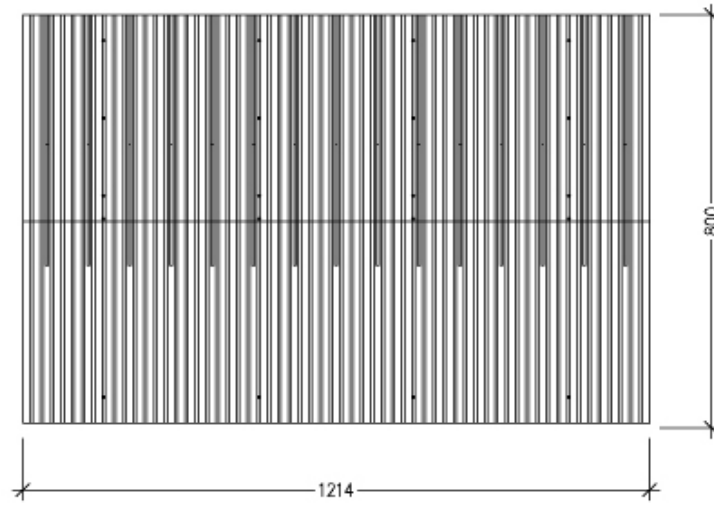
1.3 Carcase for dividers

Divider Storage

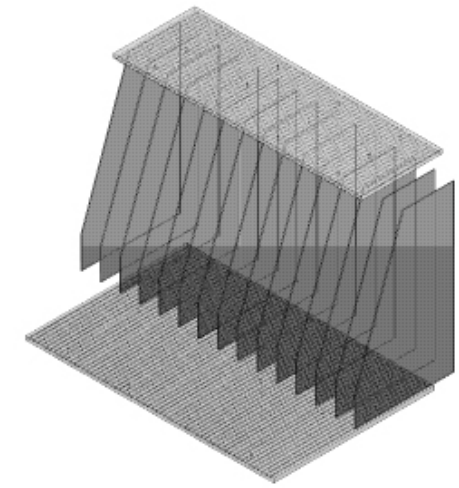
Ordercolor 1	Address 1	Case	Articulation	1
Ordercolor 2	Address 2	Current	MaterialAssistEdge	Name
Ordercolor 3	Address 3	Modified	Articulation	Homag CSW
Ordercolor 4	Address 4	Created	Construction	Scale
Ordercolor 5	Address 5	Issued	STANDARD	1:12,5
				1/20
		MaterialAssistEdge19_2020		



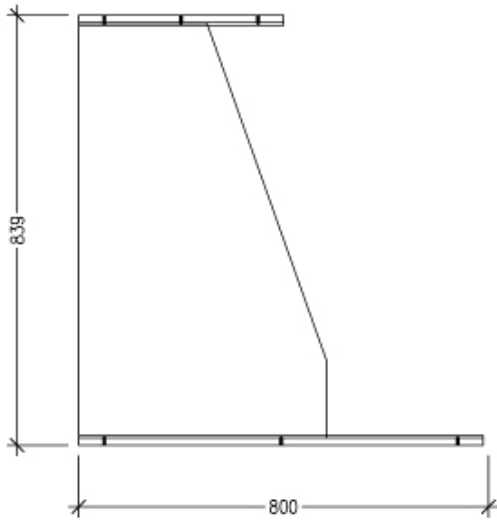
Realistic view



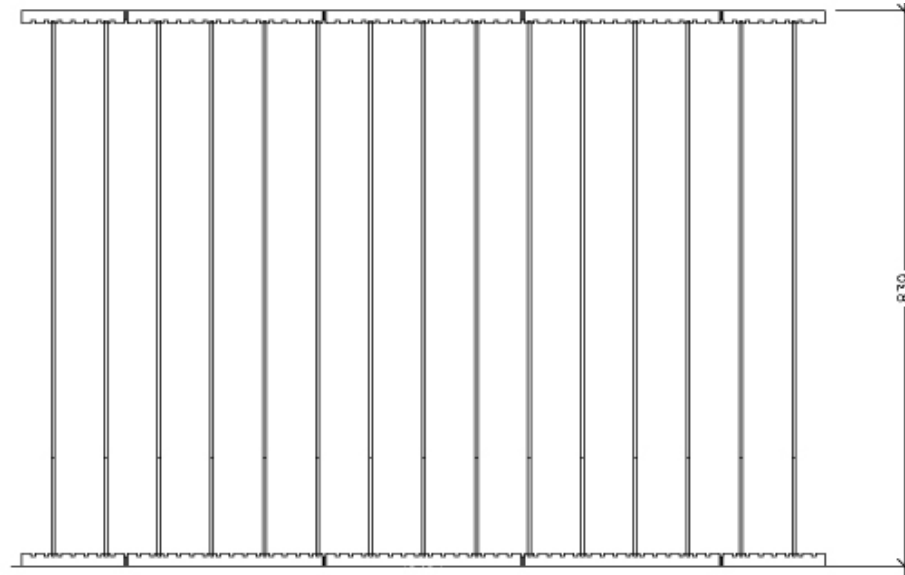
View from top



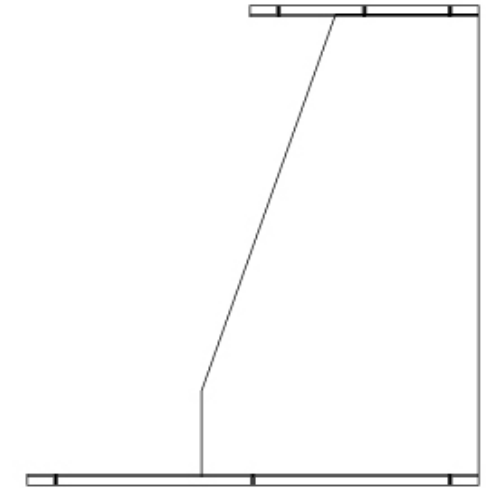
Exploded view



View from left



Front view



View from right

1.4 Carcase top left details

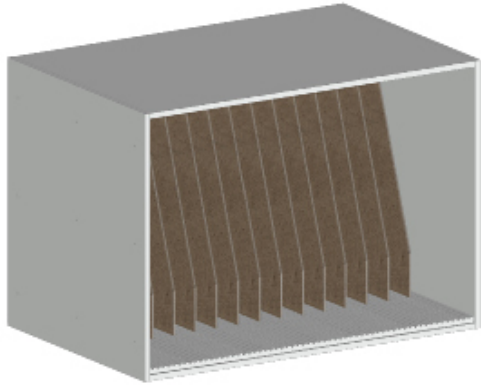
Upper Left Module

Ordercolor 1	Address 1
Ordercolor 2	Address 2
Ordercolor 3	Address 3
Ordercolor 4	dü
Ordercolor 5	Welle

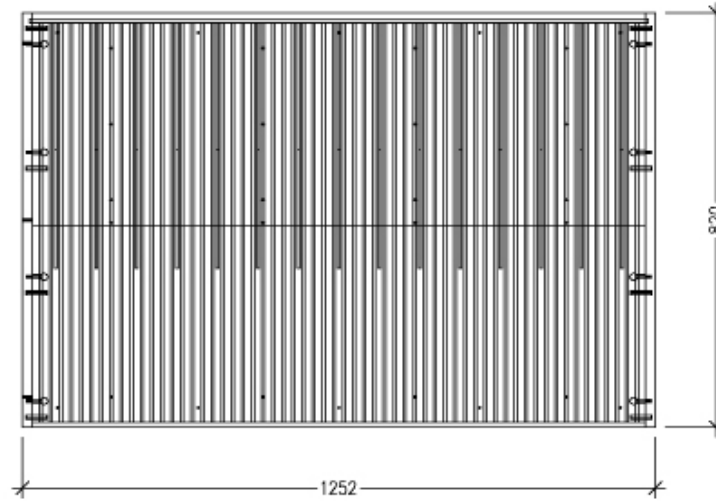
Ordercolor 1	Address 1
Ordercolor 2	Address 2
Ordercolor 3	Address 3
dü	
Welle	

Date	3/20/2020
Created	3/19/2020
Modified	2/3/2020
Created	
Modified	
Created	
Modified	

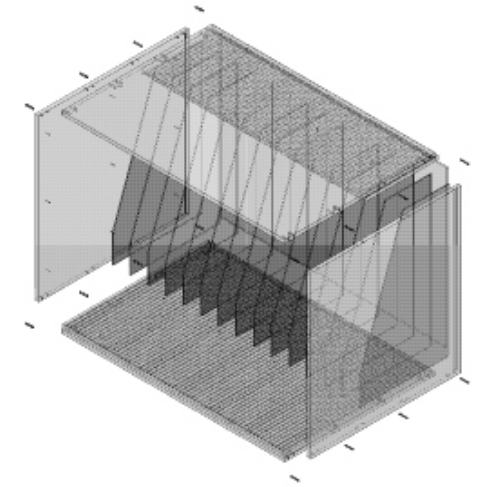
Article name	MaterialAssistEdge
Article description	
Construction	STANDARD



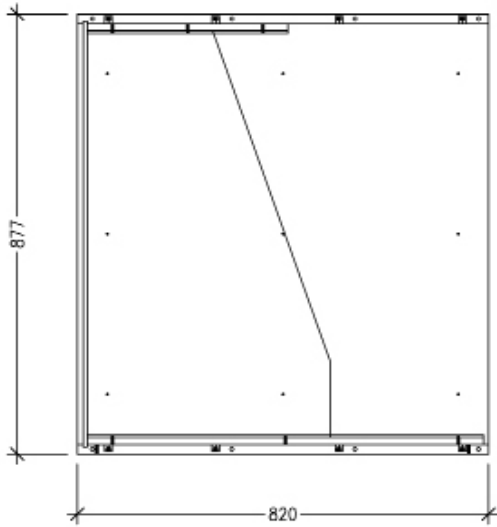
Realistic view



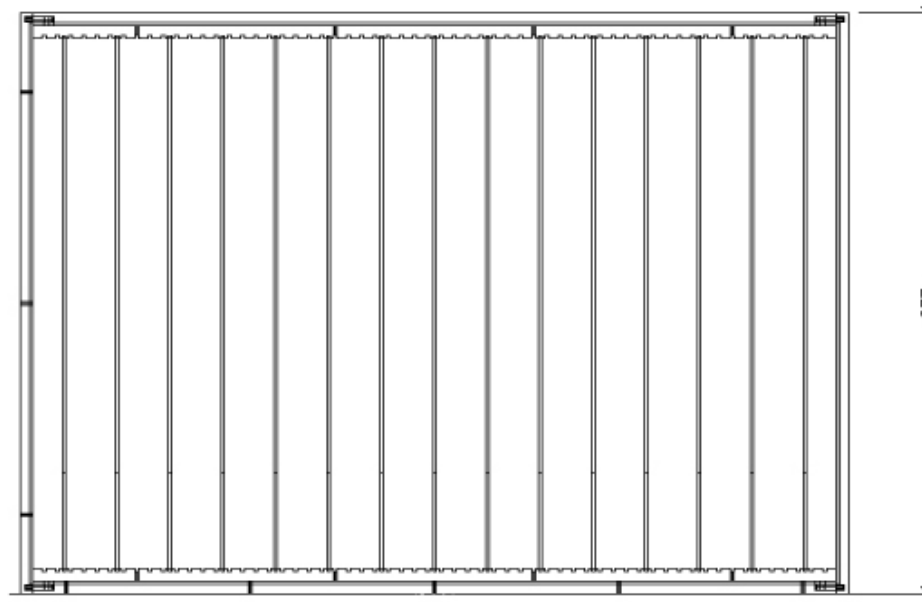
View from top



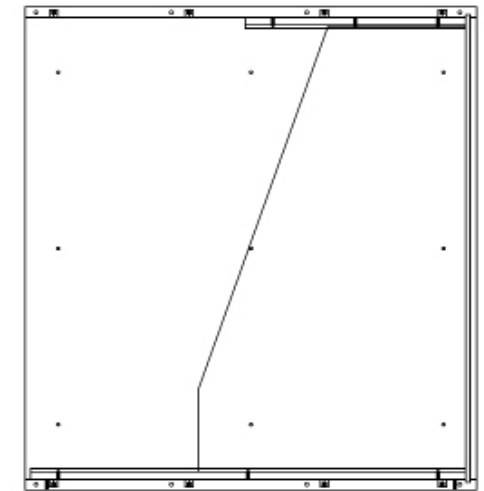
Exploded view



View from left



Front view



View from right

1.4 Carcase top left

Upper Left Module

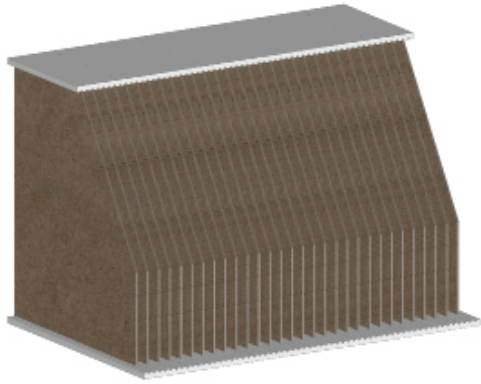
Ordercolor 1  
Ordercolor 2  
Ordercolor 3  
Ordercolor 4  
Ordercolor 5

Address 1  
Address 2  
Address 3  
City  
Region

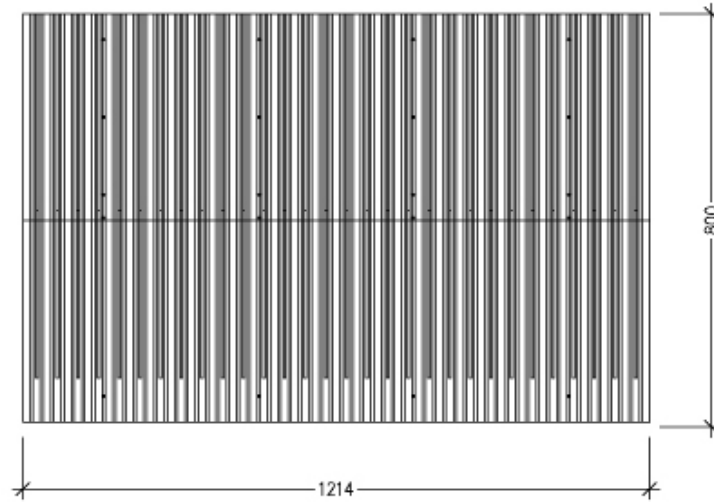
Case	3/20/2020
Current	3/20/2020
Modified	3/19/2020
Created	2/3/2020
Issuing	
Delivery	

Articulation  
MaterialAssistEdge  
Articulation  
Construction  
STANDARD

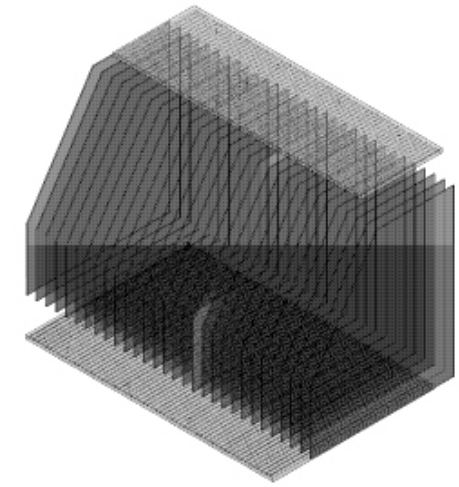




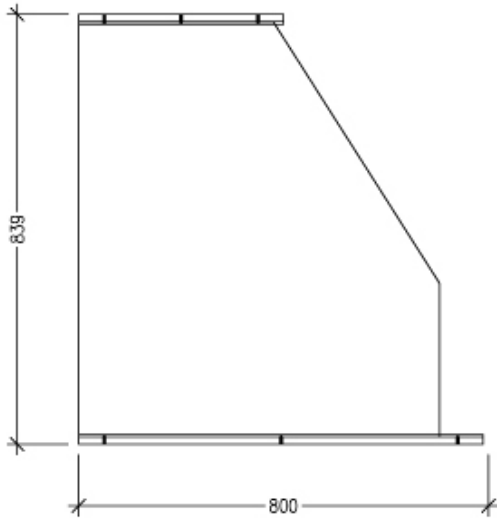
Realistic view



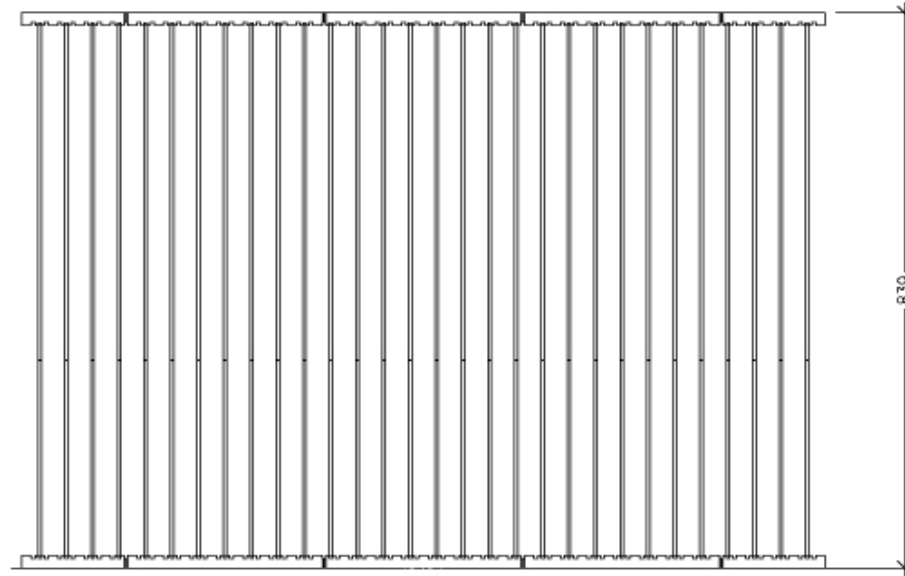
View from top



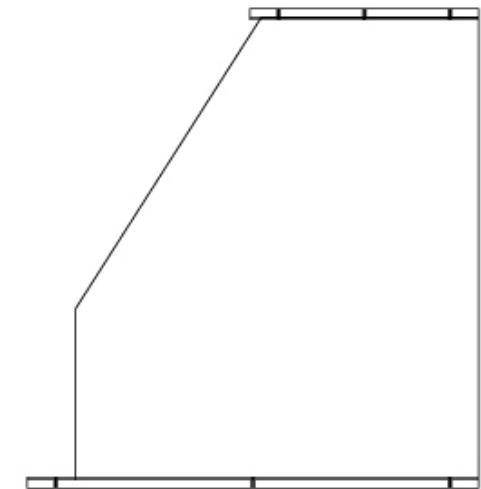
Exploded view



View from left



Front view



View from right

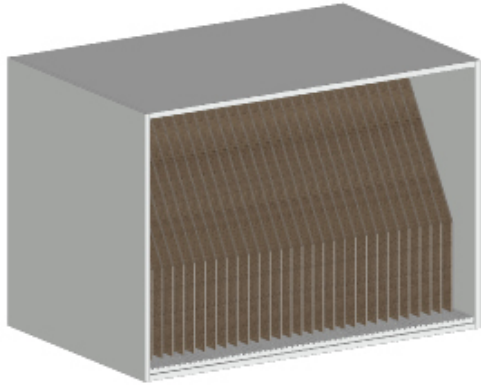
1.5 Carcase top right details

Upper Right Module

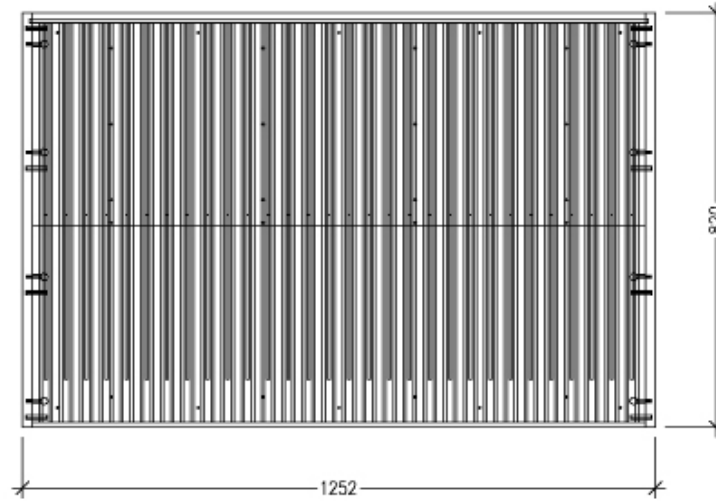
Ordercolor 1  
Ordercolor 2  
Ordercolor 3  
Ordercolor 4  
Ordercolor 5

Address 1  
Address 2  
Address 3  
City  
Region

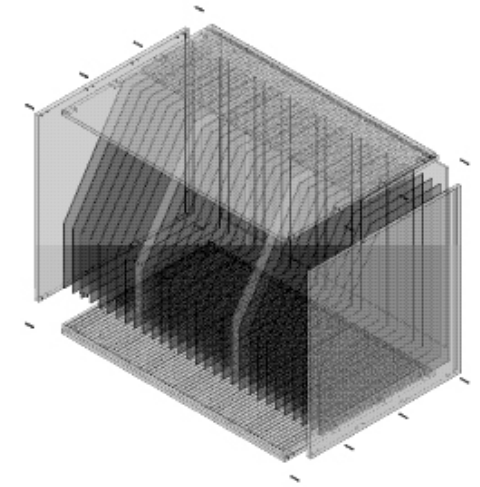
Case	3/20/2020	Articulation	MaterialAssistEdge
Current	3/20/2020	Articulation	MaterialAssistEdge
Modified	3/19/2020	Articulation	MaterialAssistEdge
Created	2/3/2020	Construction	STANDARD
Delivery		Construction	STANDARD



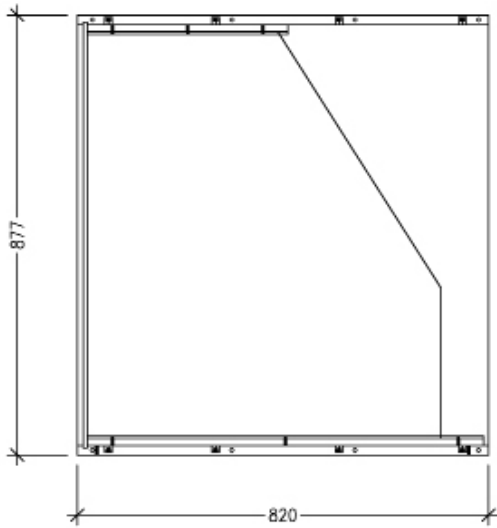
Realistic view



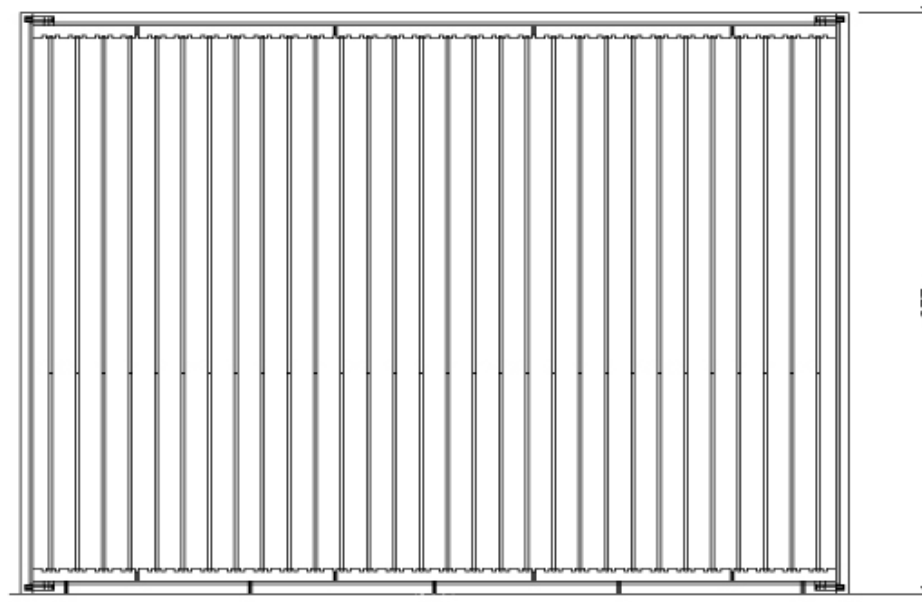
View from top



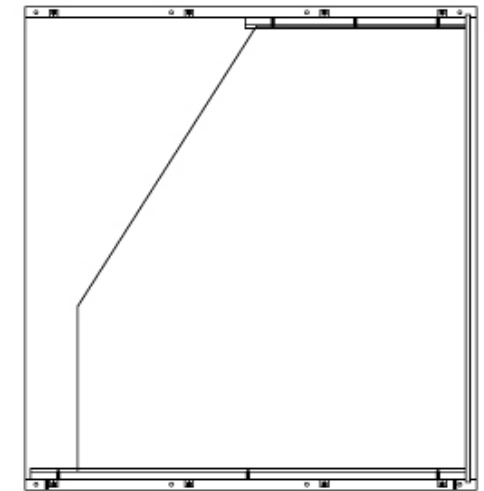
Exploded view



View from left



Front view



View from right

1.5 Carcase top right

Upper Right Module

Ordercolor 1
Ordercolor 2
Ordercolor 3
Ordercolor 4
Ordercolor 5

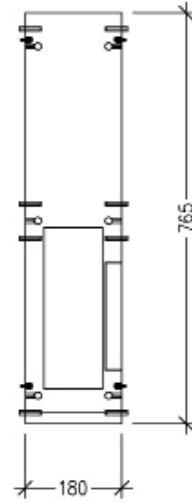
Address 1
Address 2
Address 3
City
Postal

Case
Current
Modified
Created
Issuing
Delivery

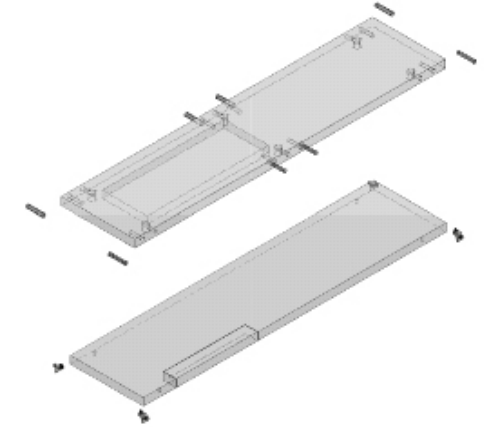
Articulation
MaterialAssistEdge
Articulation
Construction
STANDARD



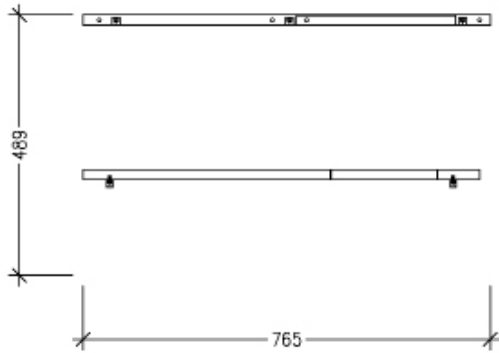
Realistic view



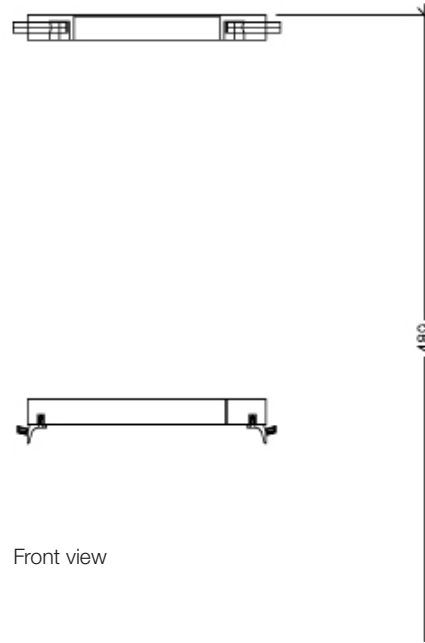
View from top



Exploded view



View from left



Front view



View from left

1.6 Carcase for electrical components shelves

Controller Unit

Ordercolor 1
Ordercolor 2
Ordercolor 3
Ordercolor 4
Ordercolor 5

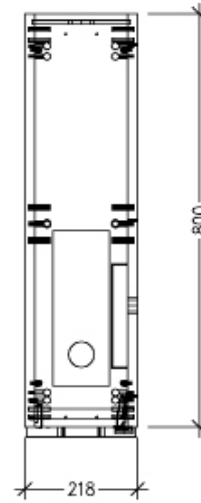
Address 1
Address 2
Address 3
City
Postal

Case	Articulation
Current: 3/20/2020	MaterialAssistEdge
Modified: 3/19/2020	Articulation
Created: 2/3/2020	Construction
Delivery	STANDARD

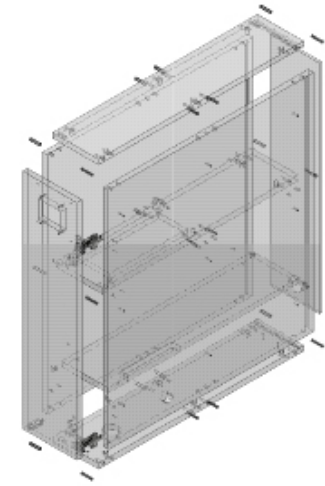
Page	1
Name	Homag CSW
Scale	1:6.2
Author	...



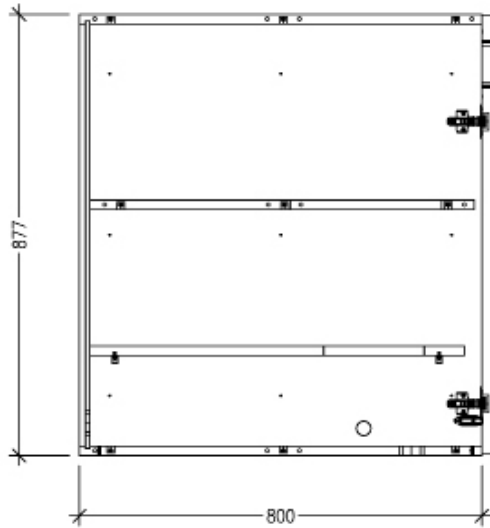
Realistic view



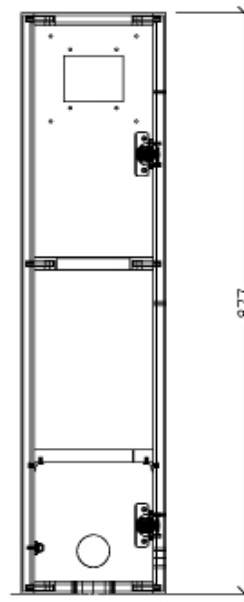
View from top



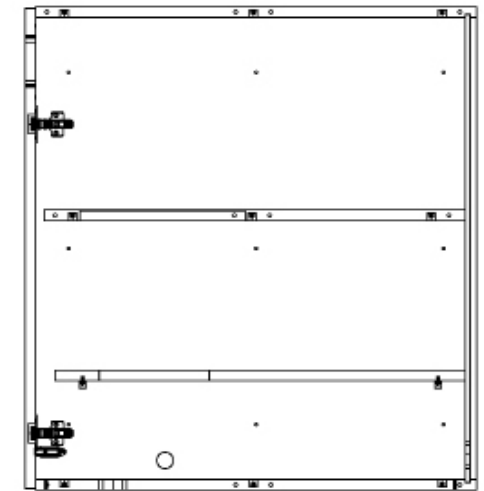
Exploded view



View from left



Front view



View from right

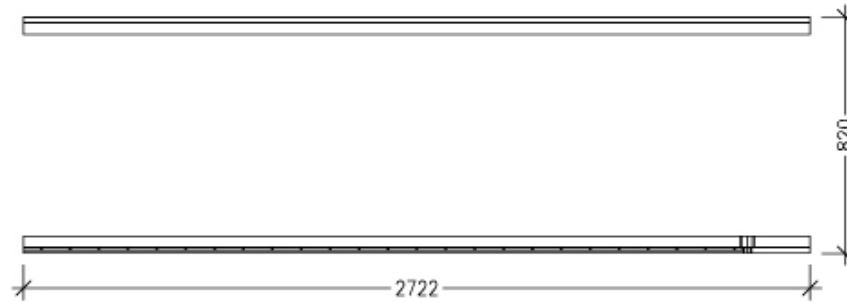
1.6 Carcase for electrical components

Controller Unit

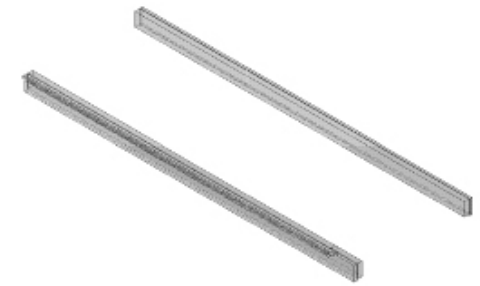
Ordercolor 1	Address 1	Case	Articulation	1
Ordercolor 2	Address 2	Current	MaterialAssistEdge	Name
Ordercolor 3	Address 3	Modified	Articulation	Homag CSW
Ordercolor 4	CU	Created	Construction	Scale
Ordercolor 5	Module	Issuing	STANDARD	1:11,7
		Delivery		kg
		MaterialAssistEdge19_2020		



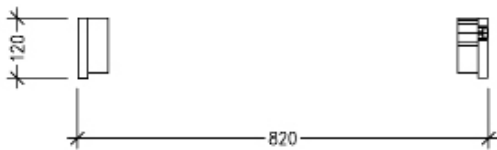
Realistic view



View from top



Exploded view



View from left



Front view



View from left

2.1 Cover bottom LED bar

LowerLED

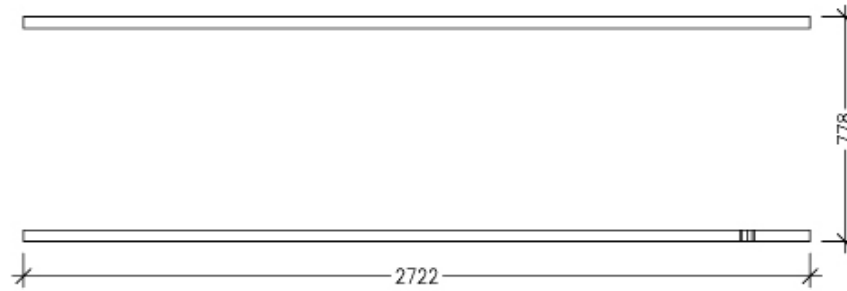
Ordercode 1
Ordercode 2
Ordercode 3
Ordercode 4
Ordercode 5

Address 1
Address 2
Address 3
dj
Wolke

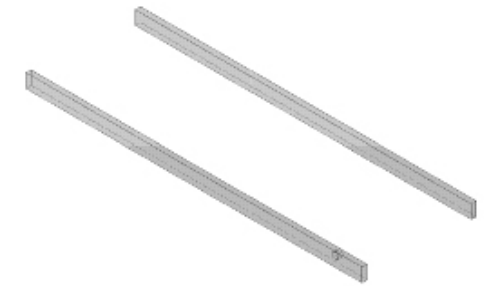
Case	Articulation
Current 3/20/2020	MaterialAssistEdge
Modified 3/19/2020	Articulation
Created 2/3/2020	Construction
Delivery	STANDARD



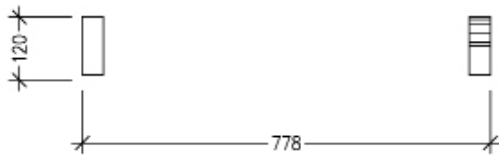
Realistic view



View from top



Exploded view



View from left



Front view



View from right

2.1 Cover bottom LED bar solid wood

LowerLED

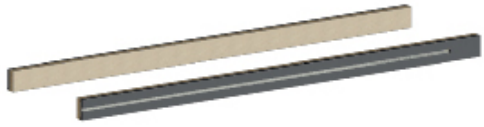
Ordercolor 1
Ordercolor 2
Ordercolor 3
Ordercolor 4
Ordercolor 5

Address 1
Address 2
Address 3
City
Postalcode

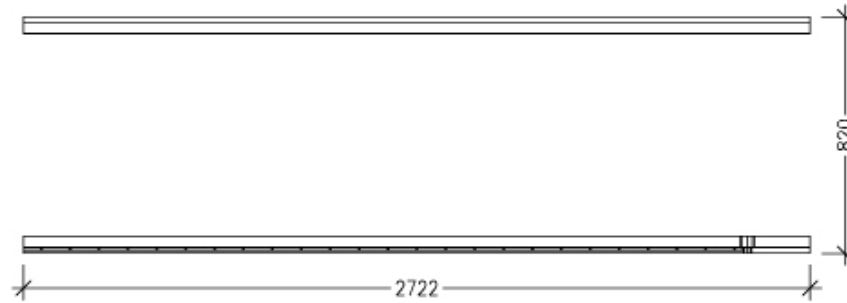
Case	Articulation
Current 3/20/2020	MaterialAssistEdge
Modified 3/19/2020	Articulation
Created 2/3/2020	Construction
Delivery	STANDARD

**HOMAG** MaterialAssistEdge19\_2020

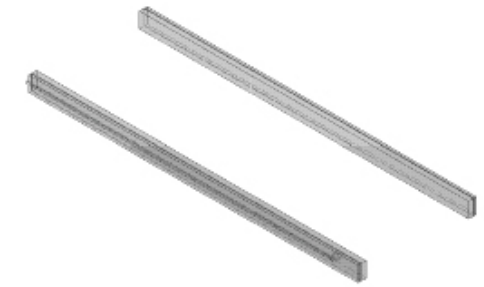
Page 1
Name
Homag CSW
Scale
1:30,4
of 73



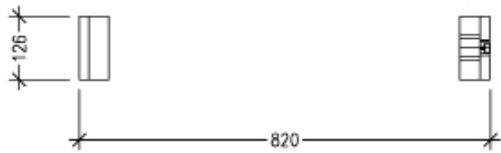
Realistic view



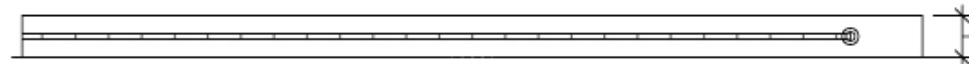
View from top



Exploded view



View from left



Front view



View from right

2.2 Cover middle LED bar

Mid\_LED\_Unit

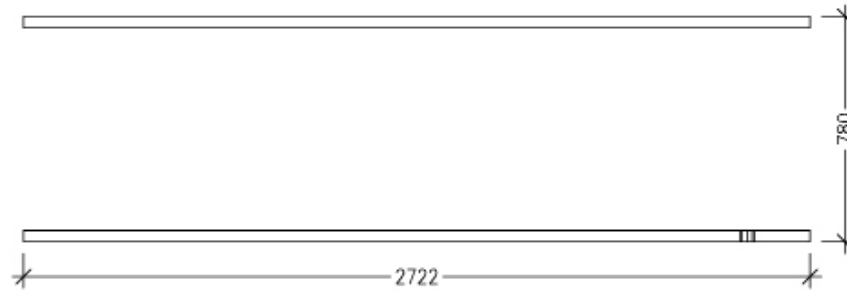
Ordercolor 1
Ordercolor 2
Ordercolor 3
Ordercolor 4
Ordercolor 5

Address 1
Address 2
Address 3
City
Region

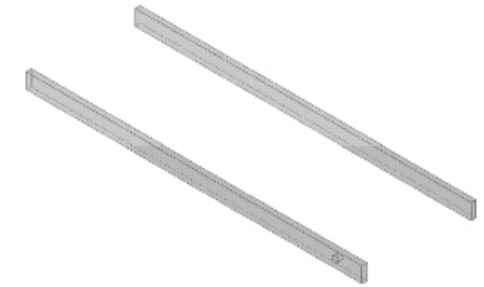
Case	Articulation
Current 3/20/2020	MaterialAssistEdge
Modified 3/19/2020	Articulation
Created 2/3/2020	Construction
Category	STANDARD
Delivery	



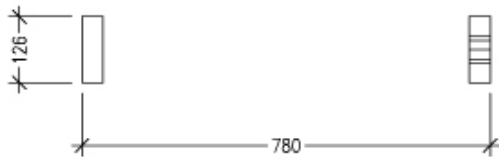
Realistic view



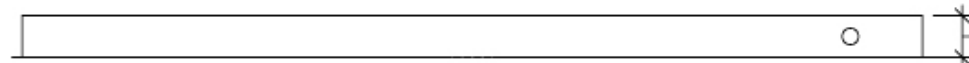
View from top



Exploded view



View from left



Front view



View from right

2.2 Cover middle LED bar solid wood

Mid\_LED\_Unit

Ordercolor 1
Ordercolor 2
Ordercolor 3
Ordercolor 4
Ordercolor 5

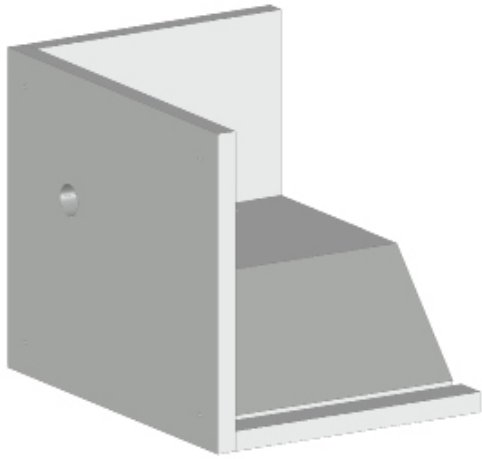
Address 1
Address 2
Address 3
City
Postal

Case	Articulation
Current 3/20/2020	MaterialAssistEdge
Modified 3/19/2020	Articulation
Created 2/3/2020	Construction
Delivery	STANDARD

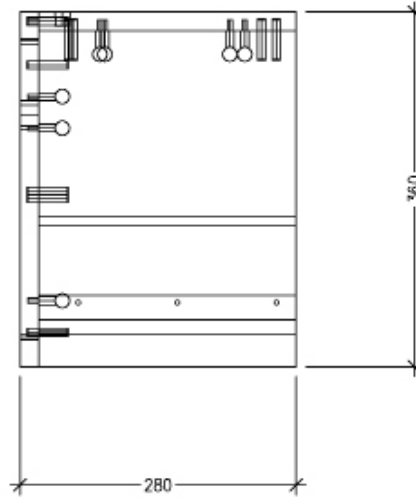
**HOMAG** MaterialAssistEdge19\_2020

Page	1
Name	Homag CSW
Scale	1:30,5
Date	07/20

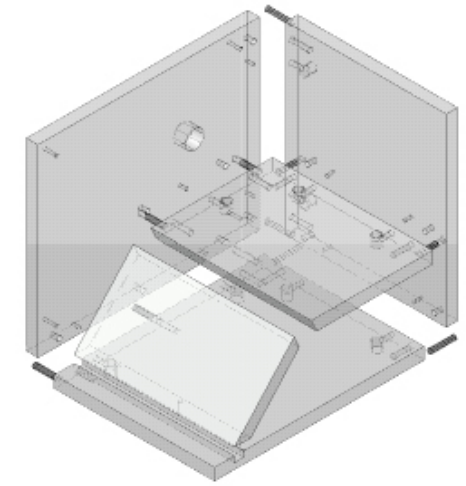




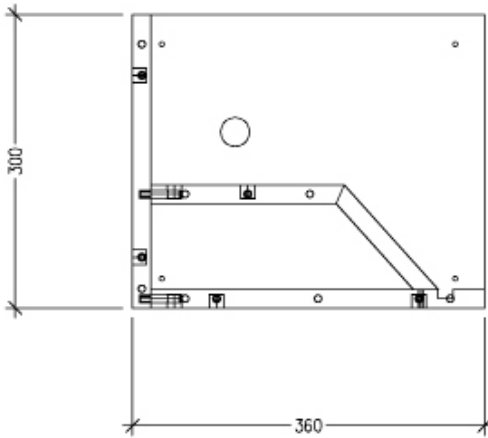
Realistic view



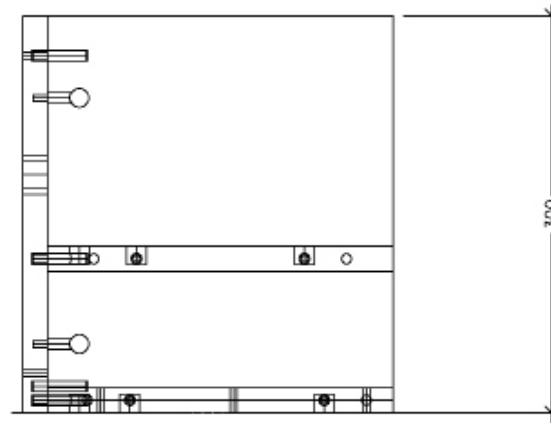
View from top



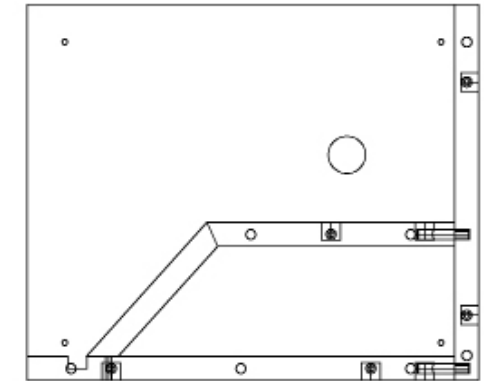
Exploded view



View from left



Front view



View from right

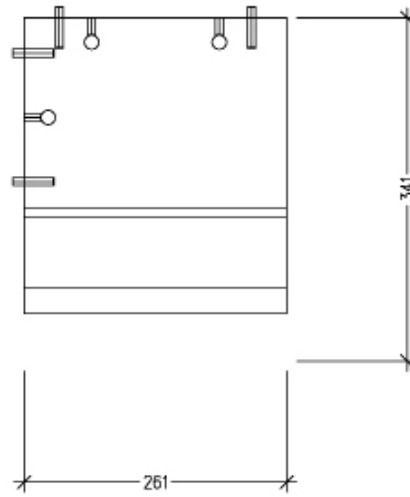
3.0 Tablet mount

Tablet rest

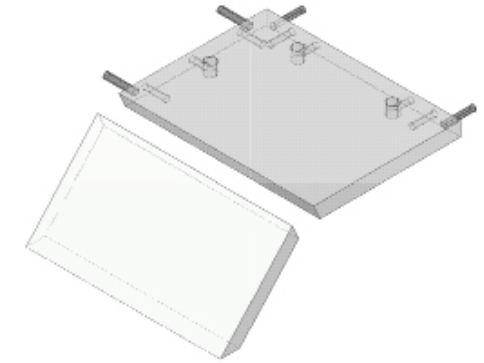
Ordercode 1 Ordercode 2 Ordercode 3 Ordercode 4 Ordercode 5	Address 1	Date	Article no.	Page
	Address 2	Current 3/20/2020	DF_Tablet_Tray	1
	Address 3	Modified 3/19/2020	Article description	Homag CSW
	CU	Created 2/3/2020	Construction	Scale
	Notice	Delivery	STANDARD	1:4.8
			MaterialAssistEdge19_2020	Page



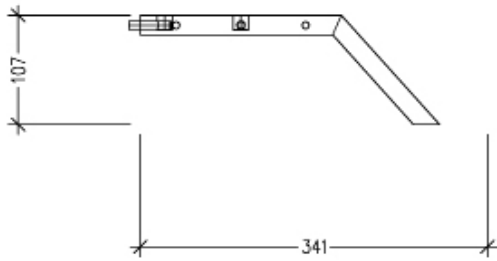
Realistic view



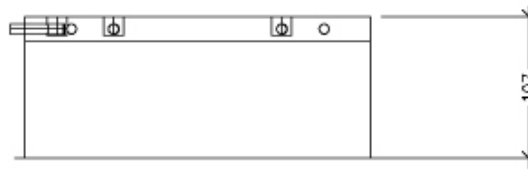
View from top



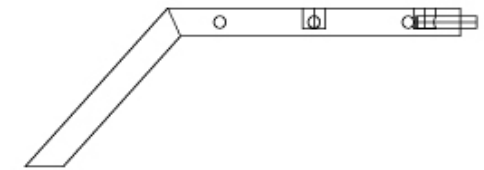
Exploded view



View from left



Front view



View from right

3.1 Tablet mount details

TabletRest

Ordercolor 1  
Ordercolor 2  
Ordercolor 3  
Ordercolor 4  
Ordercolor 5

Address 1  
Address 2  
Address 3  
City  
Region

Case	3/20/2020	Articulation	DF_Tablet_Tray
Current	3/20/2020	Articulation	Articulation
Modified	3/19/2020	Construction	STANDARD
Created	2/3/2020		
Delivery			

**HOMAG** MaterialAssistEdge19\_2020

Page 1  
Name  
Scale 1:4.2  
Date

Homag CSW